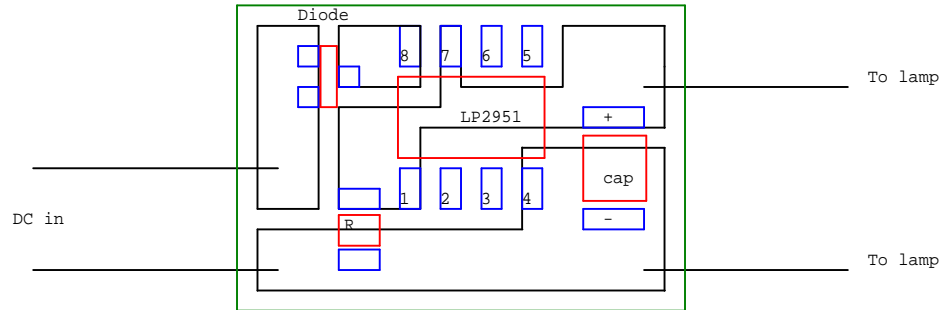


SOT-23 size
Any small surface mount diode can be used.

When DC in 1 is positive the lamp will start to light when the input voltage exceeds 1 volt and will be at maximum intensity when the input voltage exceeds 2.5 volts.

When DC in 1 is negative the light is off as the input diode blocks the current flow.



Simple circuit board that can be cut with an Xacto knife. Copper patterns are outlined in black.

Title		
Constant intensity lighting Circuit		
Size A	Document Number Mark Schutzer	Rev 1
Date:	Monday, April 26, 2004	Sheet 1 of 1